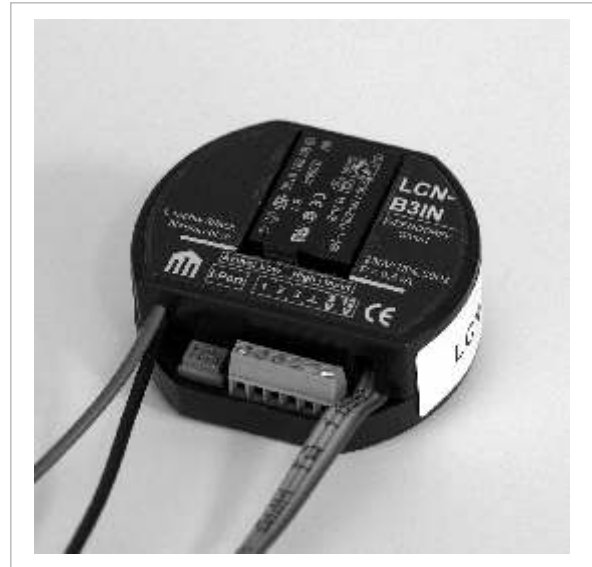


LCN-B3IN

3-way Binary Sensor with integrated PSU for Patress Box



Description:

The LCN-B3IN evaluates up to 3 permanent potential-free contacts. It provides an internal interrogation voltage. It has an internal power supply which provides 5V/12V dc for interrogation of external sensors.

With its connecting cables the LCN-B3IN connects to the I-Port of an intelligent bus module like e.g LCN-HU, LCN-SH, LCN-DI12, LCN-UPP, LCN-UP24 or LCN-UPS

Hardware equipment:

3 binary inputs + interrogation voltage

Power supply 5V/12V for sensors which require an external supply

Jumper for setting "active, low or high"

Ribbon cable with plug for I - Port connection

I-Port socket for further I-Port connectors

Field of application:

The LCN-B3IN connects up to 3 permanent potential-free contacts onto the LCN system. These can be Reed contacts, limit switches or other signal contacts. With this e.g. windows, doors and smoke detectors can be integrated onto the LCN and reported.

The LCN-B3IN has an internal power supply for use with sensors such as light barriers, hall sensors in shutter drives or the electronic evaluation of block locks.

Note:

The clip marked with "1" has N-potential. Only **potential-free contacts** may be connected

Care must be taken when choosing the contact material (low interrogation current)

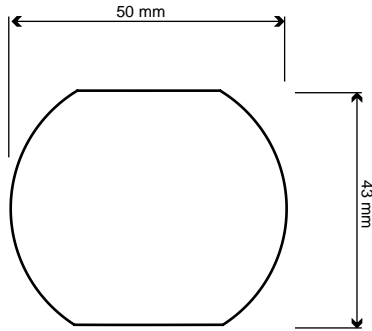
The inputs are signal wires and are to be treated accordingly i.e separated from 230V lines.

LCN-B3IN

3-way Binary Sensor with integrated PSU for Patress Box

Dimensions:

Mass (W x Ø): 50mm x 20mm
Supply Cable: 160mm



Technical Data:

Connection:	
Supply voltage:	230V~ ±15%, 50Hz
Input power:	<1W
Connection power side:	litz wires 0,75 mm ² (with insulated ferrules)
Inputs:	
Input voltage:	5V, made available by the sensor (WRT N)
Querying current:	50µA
Contact resistance ON:	max. 10kOhm
Contact resistance OFF:	min. 200kOhm
Debounce time:	30ms
Cable length:	max. 10 metres / 100 metres with shielded cable
Sensor supply:	
Sensor voltage:	5V / 12V=
Sensor current:	max. 25mA (permanently short-circuit safe)
Terminals: for screwing	
Cable type:	single or multi-core max. 0,5mm ² or with insulated ferrules
General Details:	
Operating temperature:	-10°C to +40°C
Humidity:	max. 80% rel., non condensing
Environmental conditions:	stationary installation according to VDE 632, VDE 637
Safety classification:	IP 20, when installed in patress boxes

Assembly:

De-centralized installation in patress boxes

Circuit Diagram

