

LCN-DDR

DSI-/DALI-Output for Patress Boxes



Description:

The LCN-DDR is an interface to control digital electronic ballasts with DALI or DSI protocol. It is used in conjunction with The LCN-UPP, LCN-UP24 or the LCN-UPS modules.

Hardware equipment:

2 DSI Channels / DALI Outputs

Cable for T-Port connection to LCN-UPP, LCN-UPS

T-Port socket for further connection of T-Port peripheries

Field of application:

The LCN-DDR couples Patress Box modules with DSI or DALI electronic ballasts for dimming fluorescent lamps.

Note:

The LCN-DDR control cable is referenced to Neutral!

When using with bus modules LCN-UPS or LCN-UP24 the DSI ballasts must be operated on continuous phase as the outputs A1 and A2 are not present on these bus modules. This is however in accordance with the manufactures recommendations.

Not suitable for the operation with EIB key surfaces (possible again with modules as from 08/2004).

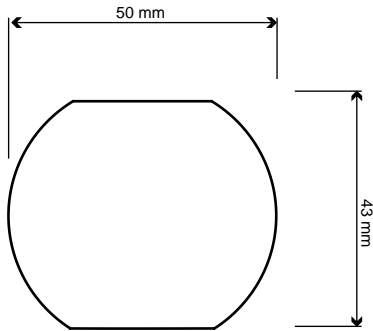
The LCN-DDR module can not be used in conjunction with the LCN-LSH or the LCN-AD1.

LCN-DDR

DSI-/DALI- Output for Patress Boxes

Dimensions:

Mass (Ø x H): 50 mm x 20 mm
 Supply cable: 160 mm



Technical Data:	
Anschluss:	
Supply voltage:	230V~ ±15%, 50/60Hz
Input power:	<1W
:	
Connection power side:	Litz wires 0,75 mm (with insulated ferrules)
Terminals: screwless, max. 16A	
Cable type:	single or multi-core max.2,5 mm ² or with insulated ferrules (max. 1,5mm ²)
DSI-Load:	max. 10 per Output
DALI-Load:	max. 16 per Output
General Details:	
Operating temperature:	-10°C bis +40°C
Humidity:	max. 80% rel., non condensing
Enviromental conditions:	stationary installation according to VDE632, VDE637
Protection:	IP 20

Assembly: Decentralized installation in deep patress boxes

Circuit diagram

