

# LCN-FI1

## 2-way Suppressing Filter for Patress Boxes



### Description:

The LCN-FI1 serves as a suppression filter when using the LCN-UPP. It offers for each output its own filter segment and a load capacity of 300VA. Furthermore it protects the outputs from transient spikes.

### Field of application:

The LCN-FI1 filters out unwanted harmonics while dimming within the requirements of the CE norm.

Furthermore protects against voltage spikes caused by inductive loads (e.g. fluorescent lamps with electronic ballasts)

### Hardware equipment:

Screwless clips

### Note:

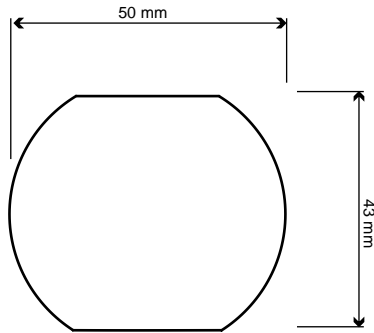
The LCN-FI1 need only be used with the LCN-UPP module. The DIN rail mounted bus modules already have an integrated filter. When using motors, the relay LCN-R2U is recommended.

# LCN-FI1

## 2-way Interference Filter for Patress Boxes

**Dimensions:**

**Mass** (W x Ø): 50 mm x 20 mm



**Technical Data:**

<b>Connection:</b>	
Supply voltage	230V~ ±15%, 50Hz
Terminals:	screwless
Cable type:	single or multi-core (max. 2,5mm <sup>2</sup> ) or with insulated ferrules (max. 1,5mm <sup>2</sup> )
Fuse:	3,15AF external
<b>General Details:</b>	
Operating temperature:	-10°C to +40°C
Humidity:	max. 80% rel., non condensing
Environmental conditions:	stationary installation according to VDE 632, VDE 637
Safety classification:	IP 20

**Assembly:**

De-centralized installation in deep patress boxes

**Circuit Diagram**

