

# LCN-NU16

## PSU for the Concealed Box

**Description:**

The LCN-NU16 is a concealed 16V dc power supply.

**Field of applications:**

The LCN-NU16 is used to supply power for the LCN-UT transponder unit or for the LCN-TEU, LCN-TE1, LCN-TE2 key sensors as background lighting.

**Hardware equipment:**

16V power output

**Note:**

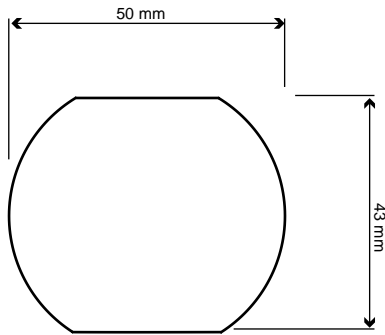
The LCN-NU16 is not stabilized, the no load output can be 30V.

# LCN-NU16

## PSU for the Concealed Box

### Measurements:

**Case Dimensions** (Ø x H): 50 x 20 mm



### Technical Data:

**Connection:**  
 Power supply: 230V~ ±15%, 50Hz  
 Connection power side: 0,7W  
 litz wires 0,75 mm<sup>2</sup>(with insulated pin terminals)

**Output:**  
 Voltage: 16V dc  
 Current: 60mA  
 No load output: 30V dc  
 Safety classification: short-circuit safe transformer

**General Details:**  
 Operating temperature: -10°C to +40°C  
 Humidity: max. 80% rel., Non condensing

**Environmental conditions:** stationary installation according to VDE 632, VDE 637

**Safety classification:** IP 20, when installed in concealed box

### Assembly:

De-centralized installation in deep boxes

### Circuit Diagram:

