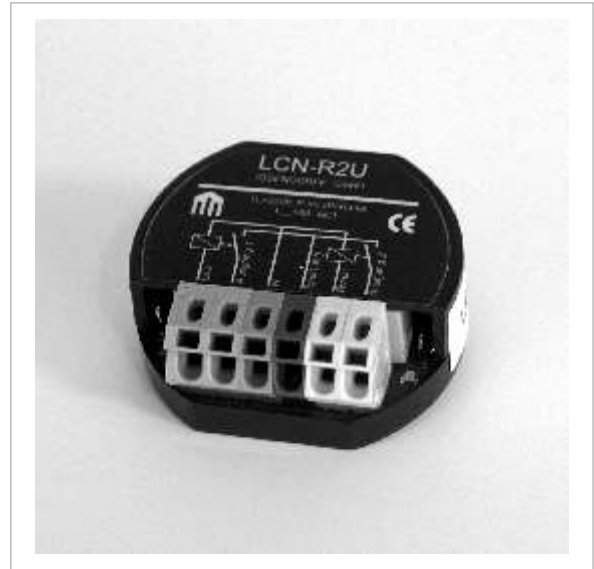


# LCN-R2U

## 2-way Relay for Patress Boxes



### Description:

The LCN-R2U is a 2 way isolation relay for patress boxes to connect to LCN-UPP modules. It has 2 independently controllable 8A closing contacts.

The excitation voltage is 230V AC. Internally the device runs with DC ensuring silent operation.

### Hardware equipment:

2 normally open contacts 8A/AC1

Status LED

There are 2 alternating contacts 8A/AC1 available as an option on request

### Field of application:

In order to galvanically separate inductive or capacitive loads from the UP module, the relay module LCN-R2U is simply switched between module and device. It is especially suitable for the control of motors for shutters and blinds.

The LCN-R2U can be used independently from the LCN system as a droning-free double relay.

### Note:

The relay contacts of the LCN-R2U are optimized for high switch on currents (AgSnO<sub>2</sub>).

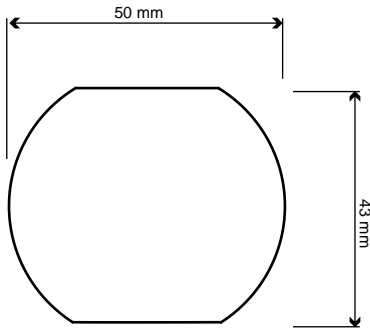
A minimum load 12V/100mA is needed to prevent oxidation of the contacts.

# LCN-R2U

## 2-way Relay for Patress Boxes

### Dimensions:

**Mass** (Ø x H): 50 x 20 mm



### Technical Data:

**Connection:**

Supply voltage: 230V~ ±15%, 50Hz  
 Input power: <0,4W

terminals: screwless  
 Cable type: single or multi-core, (max.2,5mm<sup>2</sup>) or with insulated ferrules (max.1,5mm<sup>2</sup>)

**Relay:**

Nominal current: 8A/AC1(resistive load)  
 Max. starting current: 70A  
 Operation voltage: 100mA - 8A  
 Contact voltage: >12V  
 Contact material: AgSnO<sub>2</sub>

**General Details:**

Operating temperature: -10°C to +40°C  
 Humidity: max. 80% rel., non condensing  
 Environmental conditions: stationary installation according to VDE 632, VDE 637

Safety classification: IP 20

### Assembly:

De-centralized installation in deep patress boxes

### Circuit Diagram

(Example: Control of a motor for shutters)

