

# LCN-TS

## Temperature Sensor for LCN



### Description:

The LCN-TS is an especially small and very exact digital temperature sensor.

It has its own processor and is almost completely silent in operation. The measured data is sent through the I-Port connection to an intelligent bus module.

The LCN-TS can be operated in parallel with any other group on the I-Port connection of the LCN intelligent bus modules (UPP, UPS, UP24, SH+, HU, LD, DI12). The modules allow two continuous control circuits plus 5 switch thresholds which can also be automatically controlled.

In operation, measured values can be exchanged among LCN modules and differences can be calculated.

### Hardware equipment:

Temperature sensor with adhesive pad

Mount for wall and ceiling assembly

Cable with plug for the I-Port connection to the intelligent bus module

### Field of application:

The temperature sensor is used for measuring the room temperature. By connecting further sensors onto the LCN bus, an energy-saving and user-friendly single-room heating regulation can be implemented, control of the ventilation system included.

### Notice:

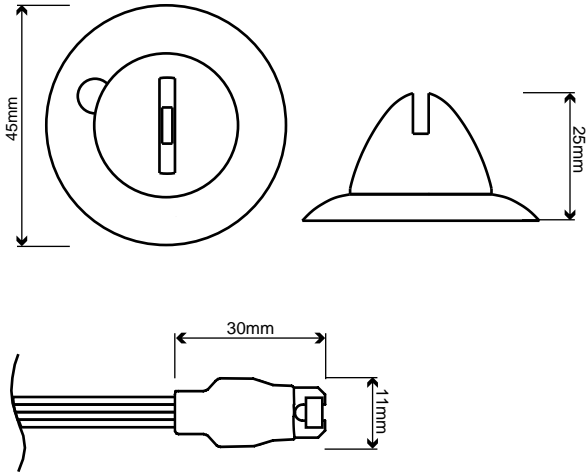
When positioning the sensor care is to be taken with regards to heat radiated from lighting and airflow as these can effect the measured value.

# LCN-TS

## Temperature Sensor for LCN

### Measurements:

Case (Ø x H): 45 mm x 25 mm  
 Sensor (L x B x H): 30 mm x 11 mm x 4 mm  
 Supply Cable: 420 mm



**Assembly:** ceiling- or wall assembly on 35mm wall light box

### Technical Data:

**Sensor Data:**  
 Measuring range: -40°C to +120°C  
 Resolution: 0,1°C  
 Accuracy: +15°C to +30°C: typical 0,3°C  
 -40°C to +70°C: typical 0,6°C  
 -40°C to +120°C: max. 2°C

**General Details:**  
 Operating temperature: -40°C bis +120°C  
 Humidity: max. 80% rel., no condensation  
 Environmental conditions: stationary installation according to VDE 632, VDE637

Safety classification: IP 20

### Circuit Diagram

