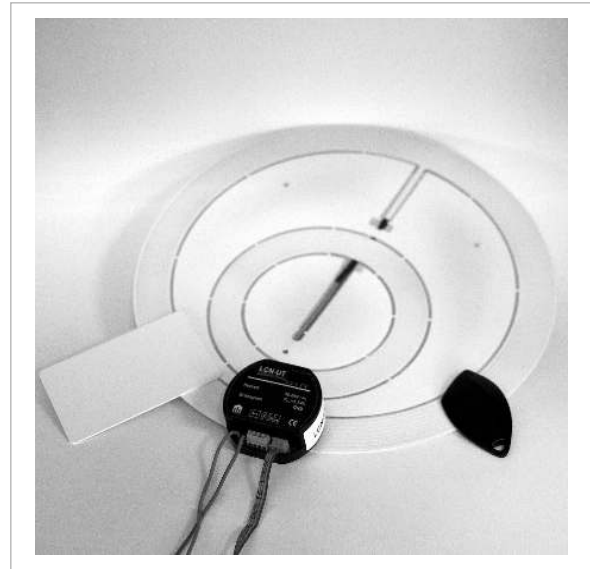


LCN-UT

Transponder System incl. Antenna for Concealed Assembly



Description:

The LCN-UT module is a transponder evaluation system for integration onto the LCN system. It is clipped onto the I-Port connection of an intelligent bus module. A potential-free power supply of 16V is needed for operation.

The antenna supplied has a range of approximately 30 cm.

Hardware equipment:

UT-module for concealed installation

Three flat antennas in different sizes

Cable with plug for the I-Port connection to the intelligent bus module

Transponder card/credit card format

Transponder card as a keyring

Field of application:

The LCN-UT module recognises transponder cards and so triggers free-programmable commands in the LCN system.

It can be used for realising a personal access control.

Up to 16 different transponder codes are possible with the bus module connected to the transponder.

When used with the visualisation software LCN-WA it is possible to register as required and individual commands can be activated. Additionally, it is possible to retrieve various programmes - individually for each card.

Note:

Only *one* antenna can be operated on the LCN-UT.

Metal parts (construction steel, covers, bearer rings) or electric interferences (TV, monitors,...) influence the range.

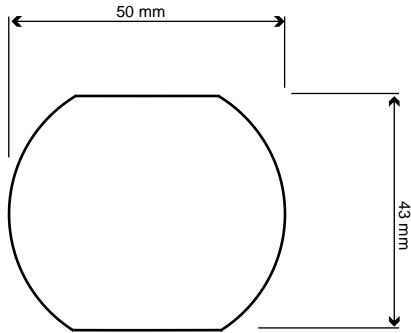
For special applications, antennas can be twisted individually, e.g. for installing them in door mats or big picture frames.

LCN-UT

Transponder System incl. Antenna for Concealed Assembly

Measurements:

Case Dimensions (Ø x H): 50mm x 20mm
 Supply Cable: 160mm



Assembly:

Module: De-centralized installation in deep boxes
 Antenna: Installation in floors or wall, e.g. plastered-in or covered with wallpaper

Technical Data LCN-UT:

Connection:
 Power supply: 10-18 V~
 Power capacity: max. 1W bei 18V;
 typical 0,8W / 16V

Supported card system: EM-H 4001, 4002, 4102,
 Safety classification: IP 20

Technical Data LCN-Flat Antenna:

Depth: 0,4mm

Size (Antenna large) Ø 245 mm exterior
 Ø 200 mm inside
 Range: ca. 28 cm with LCN-ZTK

Size (Antenna medium) Ø 123 mm exterior
 Ø 86 mm interior
 Range: ca. 20 cm with LCN-ZTK

Size (Antenna small) Ø 50 mm exterior
 Range: Ca. 9 cm with LCN-ZTK

Connection cable: 120 mm (not extendable)

General Data
 Operating temp: -10°C to +40°C
 Humidity: Max. 80% rel. No condensation

Environmental conditions: Stationary installation according to VDE632 and VDE637

Safety classification: IP 20 I

Circuit Diagram

